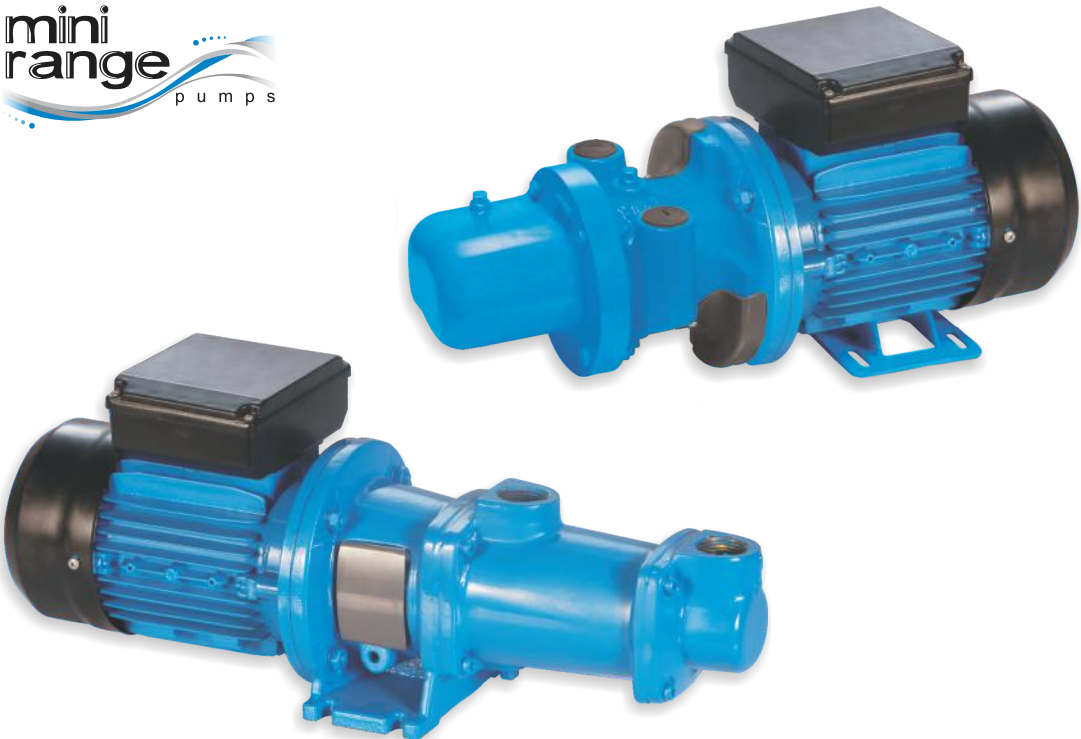


mini
range
pumps



Best fit for transfer duties in
domestic & industrial applications

Mini Range MC - Series Pump

Roto's Compact MC Pump range has been developed for small capacity and low pressure transfer of light industrial and agricultural duties.

These pumps are widely used wherever general pumping and transfer duties call for a compact and reliable pump of rugged and simple construction.

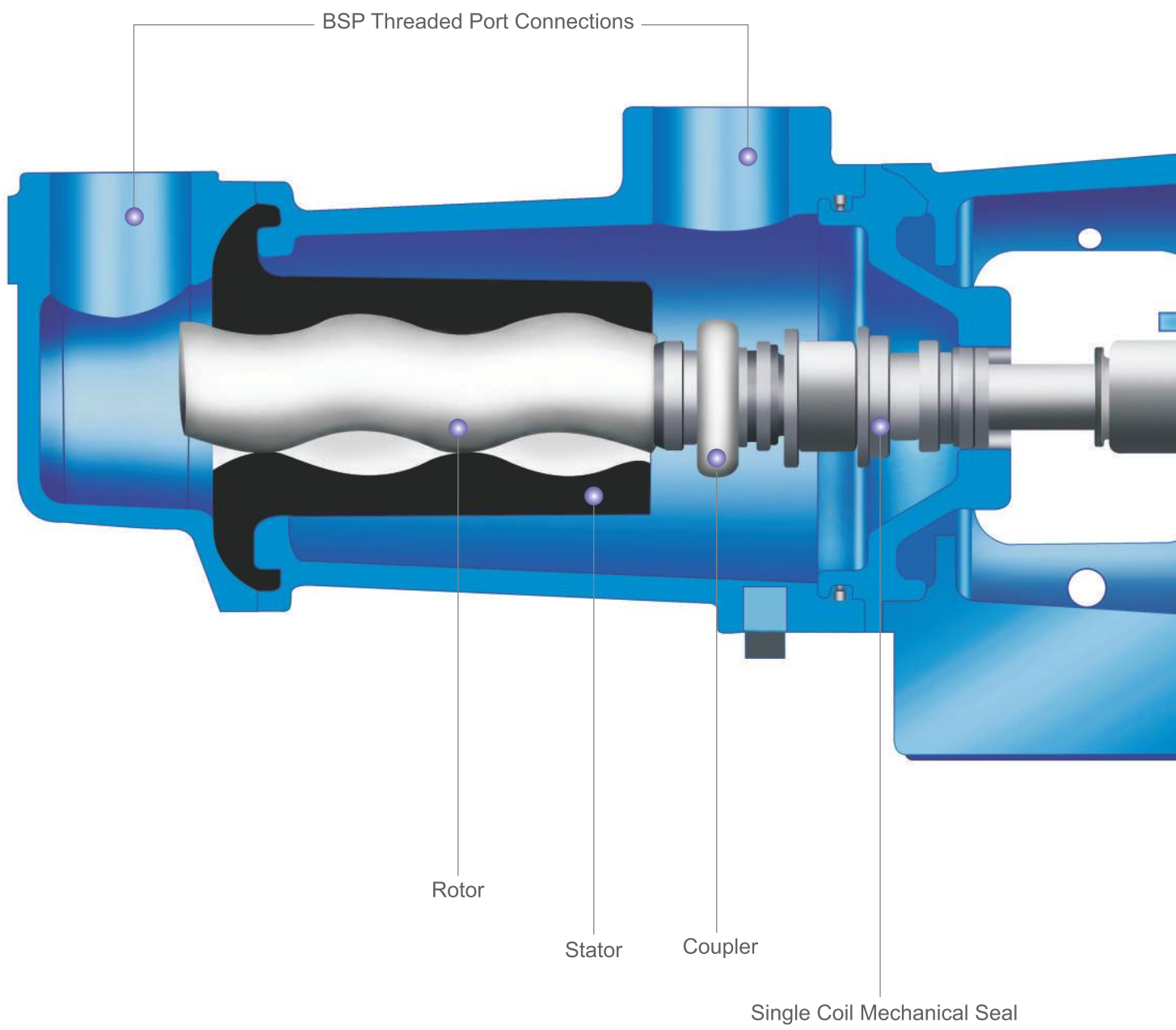
These pumps are available in 5 sizes with capacities ranging from 750 L/Hour to 3100 L/Hour and pressure up to 5 bar.

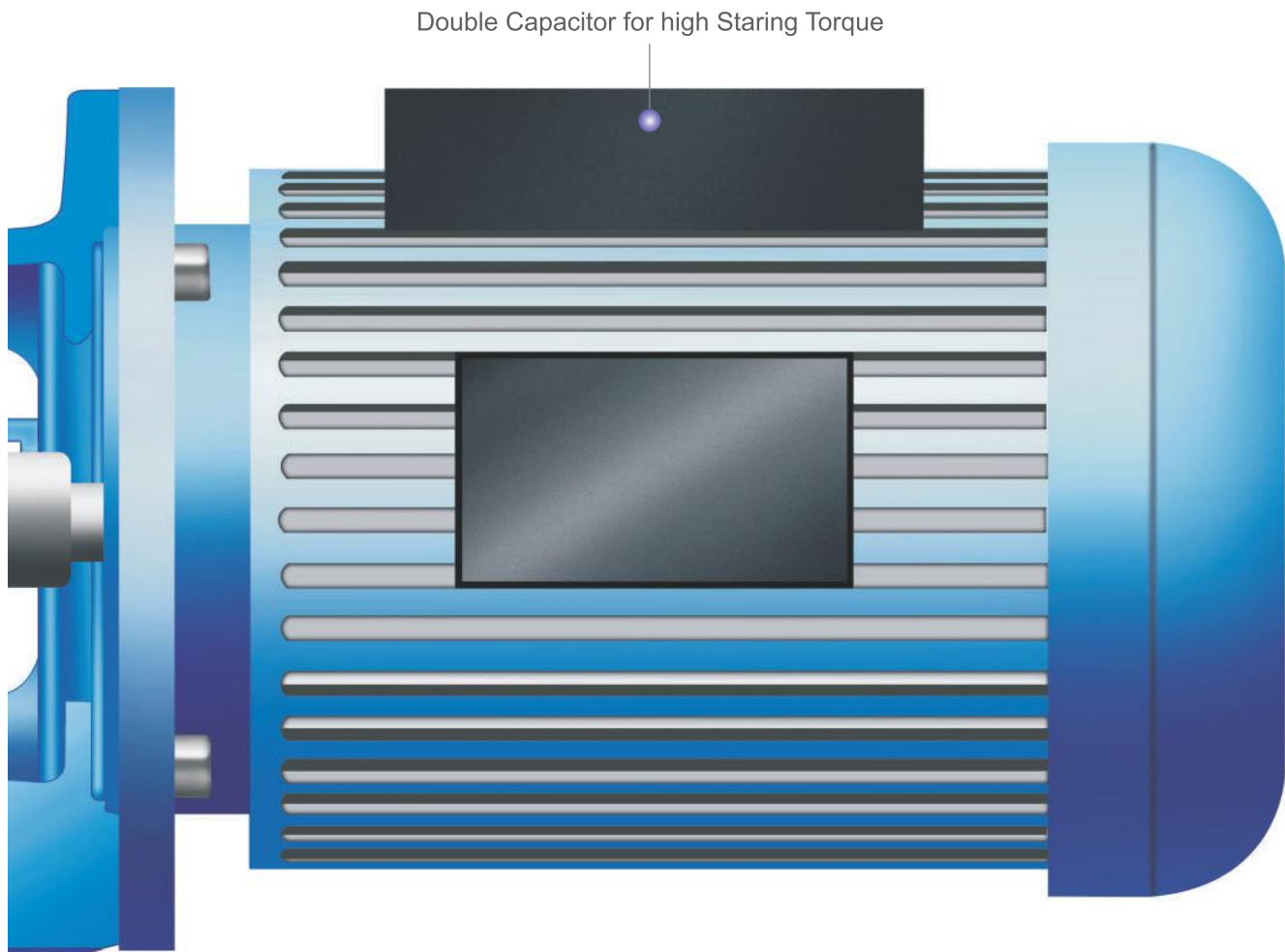
Distinctive Design, Features and Benefits

- Flow is directly proportional to the speed
- Excellent suction lifts capability up to 8m
- Minimal pulsation avoids damage to shear sensitive products
- Can handle liquids with fine solids
- Minimum impact with efficiencies with varying heads
- Simple in design and easy to dismantle
- Low maintenance cost

Typical applications

- Drainage Septic tank/cess pits
- Feeding to Garden sprinkler systems/irrigation
- Drawing water from wells, streams and rivers
- Diesel Transfer
- Feeding to oily water separators
- Transfer and dosing of non-aggressive chemicals and alkalies
- Transfer of water based inks
- Transfer duties in food processing, winery and Vegetable oils
- Transfer of liquids with small solids in suspension
- Transfer of polyelectrolyte
- Handling surfactants and detergents

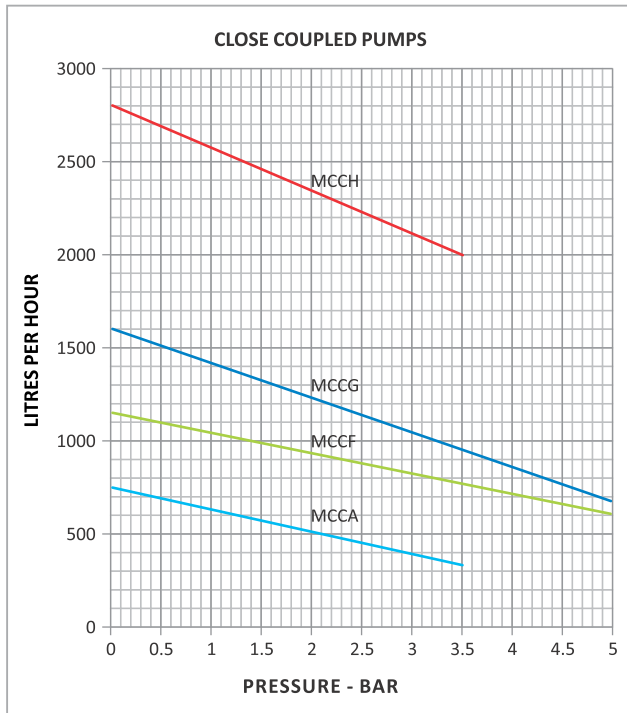




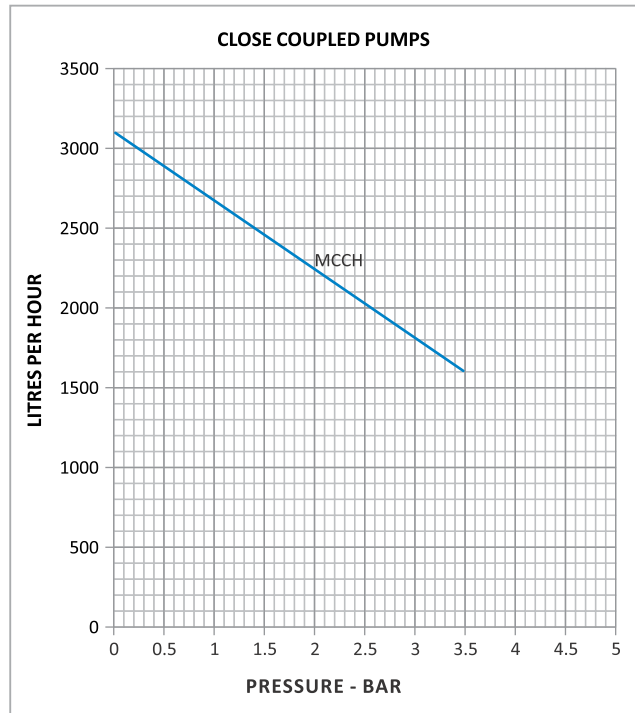
Material options

- **Pump Housing** - Close-grained Cast Iron
- **Rotor** - Stainless Steel
- **Shaft Seal** - Mechanical seal
- **Stator**
 - ♦ Natural
 - ♦ Nitrile
 - ♦ Hi-Nitrile
 - ♦ Fluoroelastomer
 - ♦ EPDM

PERFORMANCE CURVES

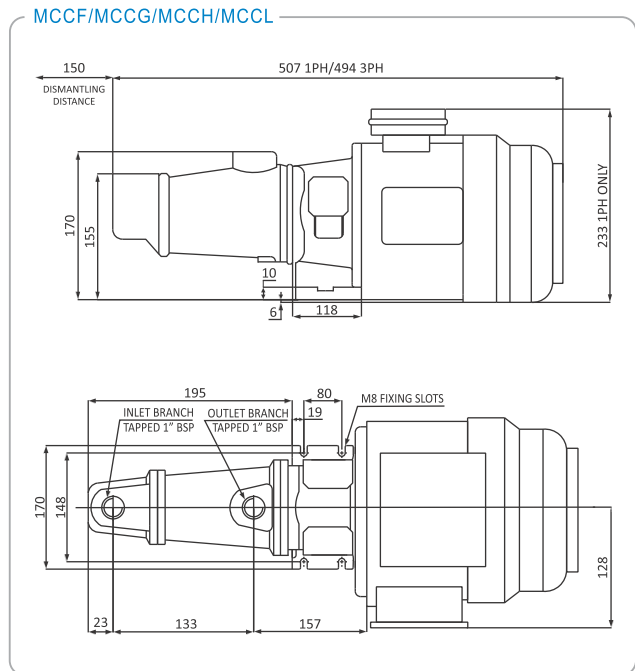
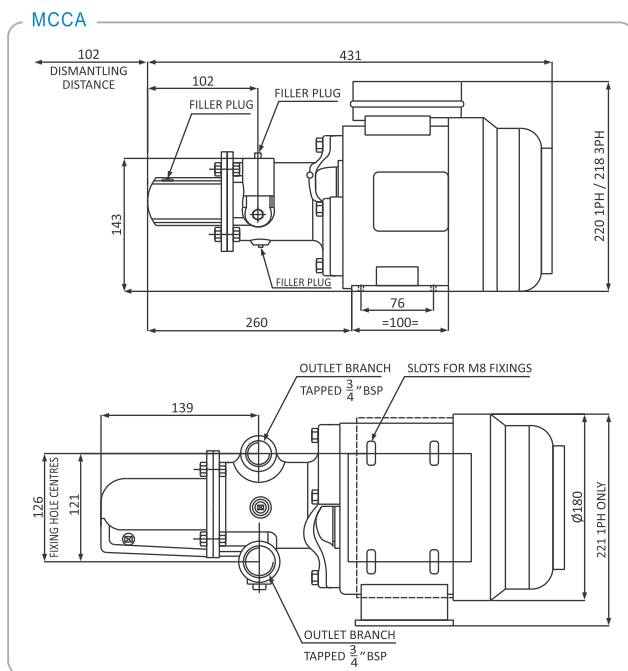


Tested on water at 20° and 1450 rpm



Tested on water at 20° and 2900 rpm

Dimensional details



ALL DIMENSIONS ARE IN MM

Pump Model	Port Size	Motor Rating (KW)	Voltage (V)	Frequency (Hz)	Phase	Pole	Max. Suction Lift (m)	Pump Weight (kg)
MCCA	¾" BSP	0.18	240	50	1Φ	4	8	12
MCCF	1" BSP	0.37	115/240/415	50/60	1Φ/3Φ	4	7.5	14
MCCG	1" BSP	0.55	115/240/415	50/60	1Φ/3Φ	4	7.5	14
MCCH	1" BSP	0.75	115/240/415	50/60	1Φ/3Φ	4	7.5	15
MCCL	1" BSP	0.75	115/240/415	50/60	1Φ/3Φ	2	4.5	15

Notes:

* The 6 & 8 pole motors are available as an option on the MCCF, MCCG & MCCH pumps only.

* 115V, 415V, 50Hz & 60Hz motors are available on customer demand.

Roto Pumps Limited, Manufacturing Plant, India



Melbourne Office & Warehouse



Manchester Office & Warehouse



Roto Pumps North America, Inc



ROTO PUMPS LTD.

Marketing Head Office

Roto House,13, Noida Special Economic Zone, Noida - 201305, INDIA
Tel.: +91 120 2567902-5 Fax: +91 120 2567911
Email: contact@rotopumps.com

Branch Offices and Warehouses

United Kingdom

Unit 1 St Elizabeths Park, Grey Street, Denton, Manchester, M34 3RU
Tel.: +44 161 4775511 Fax: +44 161 4747900
Email: sales@rotopumps.co.uk

Australia

26, Deans Court, Dandenong South, Victoria 3175
Tel.: +61 3 97945200 Fax: +61 3 97945900
E mail: melb@rotopumps.com.au

www.rotopumps.com

Subsidiaries

Roto Pumpen GmbH

Am Brühl 17, 32423 Minden, Germany
Tel: +49 571 40410077,
Email: sales@rotopumpen.de

Roto Pumps North America, Inc.

5889 S Garnett Rd. Tulsa ,Oklahoma 74146
Tel: +1 918 280 9144,Fax: +1 918 806 6853
Email: info@rotopumpsna.com

Roto Pumps Africa (Pvt) Ltd

3, Sun Rock Close Germiston 1401, Africa
Tel.: +27 10 100 3774
Email: sales@rotopumps.co.za